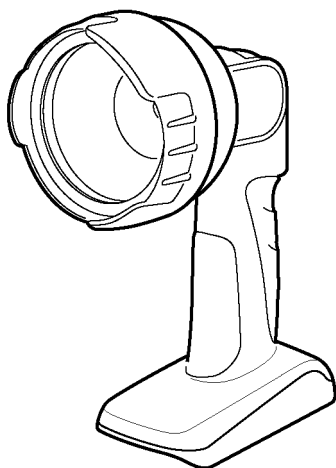


Service Manual

Flashlight

Model No. **EY3740**

USA
EUROPE
OCEANIA



⚠ WARNING

This service information is designed for experienced repair technicians only and is not designed for use by the general public. It does not contain warnings or cautions to advise non-technical individuals of potential dangers in attempting to service a product. Products powered by electricity should be serviced or repaired only by experienced professional technicians. Any attempt to service or repair the product or products dealt with in this service information by anyone else could result in serious injury or death.

IMPORTANT SAFETY NOTICE

There are special components used in this equipment which are important for safety. These parts are marked by **⚠** in the Schematic Diagrams, Circuit Board Diagrams, Exploded Views and Replacement Parts List. It is essential that these critical parts should be replaced with manufacturer's specified parts to prevent shock, fire or other hazards. Do not modify the original design without permission of manufacturer.

TABLE OF CONTENTS

| | PAGE | PAGE |
|--|------|------|
| 1 Warning----- | 2 | |
| 2 Specifications ----- | 2 | |
| 3 Schematic Diagram----- | 2 | |
| 4 Exploded View and Replacement Parts List ----- | 3 | |

Panasonic

© 2007 Matsushita Electric Works, Ltd. All rights reserved. Unauthorized copying and distribution is a violation of law.

1 Warning

Caution:

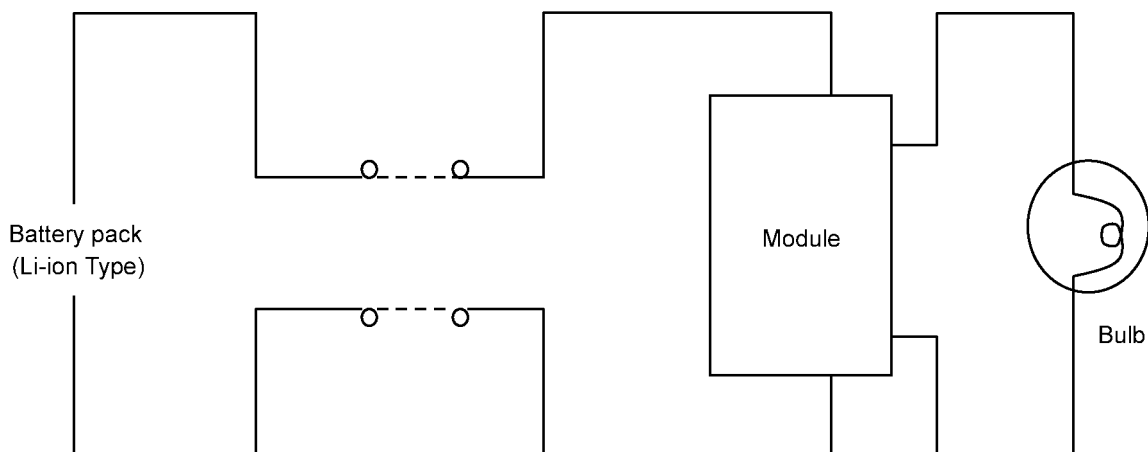
- Pb free solder has a higher melting point than standard solder; Typically the melting point is 50 - 70°F (30 - 40°C) higher. Please use a soldering iron with temperature control and adjust it to 750 ± 20°F (400 ± 10°C). In case of using high temperature soldering iron, please be careful not to heat too long.
- Pb free solder will tend to splash when heated too high (about 1100°F / 600°C).

2 Specifications

MAIN UNIT

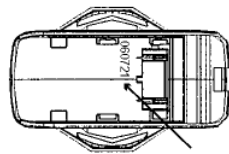
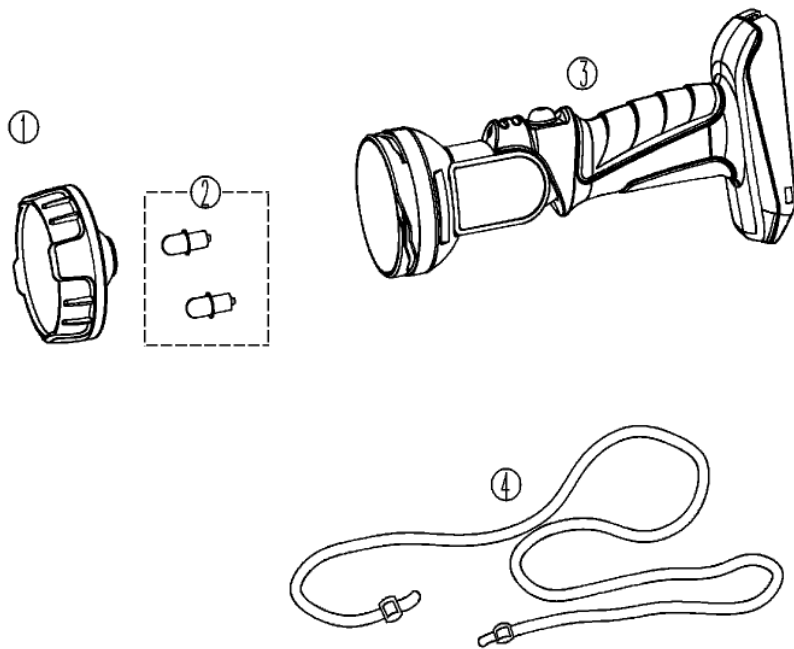
| | |
|----------------------------|--|
| Bulb type | 14.4V Xenon 0.55A |
| Size | 279 × 124 × 90 mm (10-63/64" × 4-7/8" × 3-35/64") |
| Weight (with battery pack) | 310 g (0.68 lbs) |

3 Schematic Diagram



4 Exploded View and Replacement Parts List

Model No. : EY3740 Exploded View



Production marking 6 digits

06 07 21
└─ Day
└─ Month
└─ Year (Low 2 digits)

Model No. : EY3740 Parts List

| Safety | Ref. No. | Part No. | Part Name & Description | Q'ty | Remarks |
|--------|----------|--------------|-------------------------|------|--------------------------|
| | 1 | WEY3740H0547 | HEAD LAMP COVER | 1 | |
| | 2 | WEY3740X7778 | BULB | 2 | (14.4V 0.55A), (2PCS/PK) |
| | 3 | WEY3740K3038 | BODY BLOCK | 1 | |
| | 4 | WEY3794K0277 | SHOULDER STRAP | 1 | |
| | - | WEY3740K8008 | INDIVIDUAL BOX | 1 | |
| | - | WEY3740K8108 | OPERATING INSTRUCTIONS | 1 | |